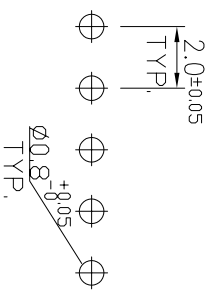


A=2.00*(No. of Pin-1)
B=2.00*(No. of Pin) +0.7



RECOMMENDED PCB LAYOUT

FEATURES

Available in 04-40 circuits
Low-profile 4.3mm high
Mates with 2.0mm pitch & 0.5mm pin Header

MATERIAL

Contact material: Brass
Insulator Material: Polyester, UL 94 V-0

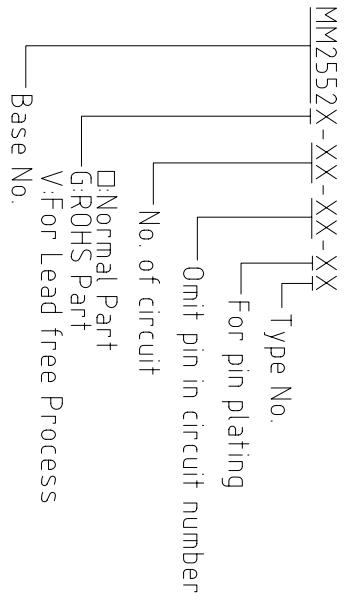
FINISH

Contact: Tin / Gold Plated options available

SPECIFICATIONS

Current Rating: 1AMPS
Insulation resistance:1000 MΩ min.
Dielectric withstanding Voltage: 500 VAC/DC
Operating Temperature: -45° C to +105° C
Contact resistance:20m Ω max.

HOW TO ORDER



LONG CHU ELECTRONICS CO. LTD
LCU 龍竹企業股份有限公司

MATERIAL	UNIT	DESCRIPTION:	SIZE	P/N	SHEET NO.
SEE LIST	mm	2.00mm Single Row Female Header	A4	MM2552-G1 SERIES	
DR. KELLY-	RE.	GENERAL TOLERANCE	SCALE	REV.	
CHK.	APP.	0. ±±.50 0.0 ±±.30 0.00 ±±.20	0.° ±±5° 0.0° ±±1°	A	
REV.	REV. RECORD	DATE			